

HOT Series

Industrial Pressure Transmitter

Up to 1600 Bar pressure range
High strength, rugged stainless steel design

Accuracy : 0.5% BFSL @ RT

Nominal Pressure

from 0 ... 1600 bar

Output signals

2-wire: 4 ... 20 mA

3-wire: 0 ... 5 V / 0 ... 10 V others on request

Special characteristics

- ▶ excellent long-term stability, also with high dynamic pressure loads
- ▶ un affected on pressure peaks
- ▶ high overpressure ability

 Made in Germany



The HOT Series is a high quality all stainless steel pressure transmitter, intended for use in the measurement of gases and liquids compatible with stainless steel. The HOT Series is suitable for automotive, industrial hydraulics, refrigeration, off-road, construction and agricultural applications. With additional EMI / RFI protection, low static and thermal errors and high resistance to shock and vibration as standard, the HOT Series assures trouble free operation at temperatures up to °125C. The HOT Series piezo resistive sensing element coupled with the latest ASIC circuitry, assures excellent accuracy, choice of high level outputs and long stability, protected within a rugged, stainless steel housing. The HOT Series high strength stainless steel construction contains no silicone oil and no internal O-rings. Measurements are available in gauge and absolute pressure, with ranges up to 1,600 bar and are backed by a one-year warranty.

Application



- Blow Molding
- Hydraulic Presses
- Test Benches
- Tank Monitoring



- Mobile Hydraulics

HOT Series

Industrial Pressure Transmitter

Technical Data

Input Pressure Range												
Nominal Pressure Gauge (bar)	1	4	6	10	16	40	160	250	600	800	1000	
Overpressure (bar)	2	8	12	20	32	80	320	500	1200	1600	2000	
Burst Pressure (bar)	5	20	30	50	80	200	800	1250	3000	3200	5000	

Output Signal / Supply	
Standard	4-20mA / Vs : 10-32VDC
Optional: 3 wire	0-10V - 0-5V / Vs : 12-32VDC

Performance	
Accuracy	Standard 0.5% BFSL
Non-linearity	% of the range \leq 0.15
Repeatability	% of the range \leq 0.10
Stability / Year	% of the range \leq 0.10
Response Time	10-90% t(ms) ¹
Pressure Cycle	> 10 Million

Environment	
Temperature [°C]:	Measuring medium -40...125 Ambience -40...105 Storage -40...125 Compensated range -20...85
Temperature coefficient within the compensated range:	Mean TC offset % of the range \leq 0,15 / 10K Mean TC range % of the range \leq 0,15 / 10K
Shock	1000 G, 11 msec., 1/2 Sine
Vibration	25 G Peak, 20 to 2000 Hz
Sealing	IP 66, Optional IP69K

Electronics	
Output Impedance	< 100 Ω
Current Consumption	< 10 mA
Reverse Voltage Protection	Yes

Mechanics	
Housing	304 stainless steel
Wetted parts	304 stainless steel
Pressure Port	See Select Table

Miscellaneous	
Weight	Approx. 140g
Mounting Force	Max 25 Nm.
Calibration	Output is Calibrated at Zero & Full Scale

HOT Series

Industrial Pressure Transmitter

Technical Data

Ordering Information

HOT H 0004 F G C K

Model Name

HOT Series (Normal Pressure Transmitters)
 HOX Series (Explosion Proof Pressure Transmitters)
 HOF Series (Flush Diaphragm Pressure Transmitters)
 HOM Series (Milli Bar Pressure Transmitters)
 HOD Series (High Pressure, Pressure Transmitters)

Output

H : 2 Wire 4 ~ 20 MA
 HC : 2 Wire 4 ~ 20 MA Compound
 J : 3 Wire 0 ~ 10 V
 JC : 3 Wire 0 ~ 10 V Compound
 F : 3 Wire 0 ~ 5 V

Pressure Range

HOT Series : 0 ~ 600 Mbar, -1 ~ 1000 Bar
 HOX Series : 0 ~ 2000 Bar
 HOF Series : 0 ~ 200 Bar
 HOM Series : 0 ~ 500 Mbar
 HOD Series : 0 ~ 5000 Bar

Type of Pressure Measurement

K : Gauge
 A : Absolute

Connection Type

C : DIN EN 803 - 175301 Connector
 M : M12 - 4Pin Female Connector

Pressure Port

L : NPT 1/4"
 W : G 1/2" (Flush Diaphragm)
 G : G 1/4" (Normal Type)
 M : M18x1.5" (High Pressure)
 N : G 1" (Flush Diaphragm)

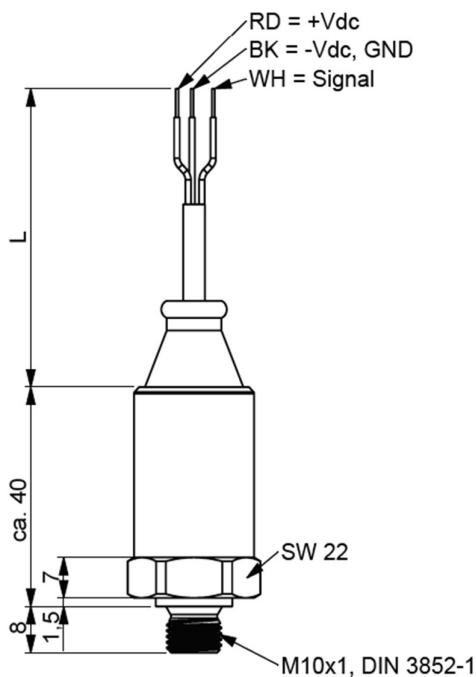
Pressure Unit

F : BAR

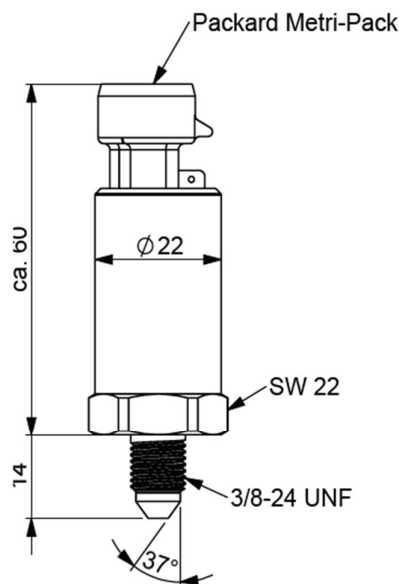
Dimensions

Gauge Pressure Dimension

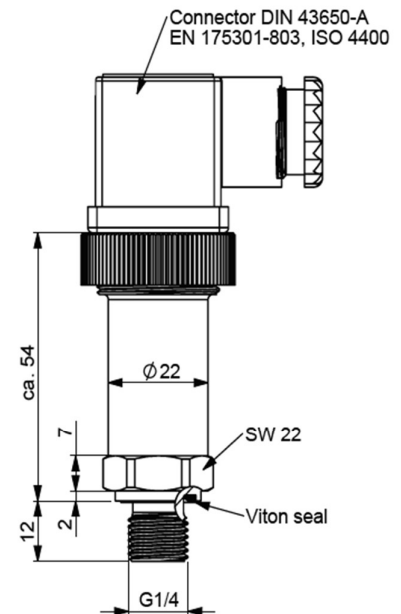
Cable assembly



Packard Metripac connector






DIN EN 175301-803 connector



HOT Series

Industrial Pressure Transmitter

Technical Data

Wiring					
Type	Output	PIN 1	PIN 2	PIN 3	PIN 4
 DIN EN 175301-8 03-A and C	0.5 - 4.5 V , 1 - 5 V , 0 - 10 V	+ Supply	- Supply	Output +	-
	4 .. 20 mA	+ Supply	Current Output -	N / A	-
	I ² C	N / A	N / A	N / A	-
 Round connector M12x1 A	0.5 - 4.5 V , 1 - 5 V , 0 - 10 V	+ Supply	N / A	- Supply	Output +
	4 .. 20 mA	+ Supply	N / A	Current Output -	N / A
	I ² C	1 V +	2 V -	3 SCL	4 SDA
 Packard Metripac	0.5 - 4.5 V , 1 - 5 V , 0 - 10 V	- Supply	+ Supply	Output +	-
	4 .. 20 mA	Current Output -	+ Supply	N / A	-
	I ² C	N / A	N / A	N / A	-
Cable assembly	0.5 - 4.5 V , 1 - 5 V , 0 - 10 V	+ Supply	- Supply	Output +	-
	4 .. 20 mA	+ Supply	Current Output -	N / A	-
	I ² C	V +	V -	SCL	SDA

Accessories	
<p>Cooling Adapter Up to 160+ C 180 C (15 min) Pressure port input & output : G 1/4</p>	<div style="display: flex; align-items: center;">  <div> <p>Pressure Snubber Operating Temperature: -195°C to 815°C Operating Pressure: 1,379 Bar Housing : Stainless Steel 316 SS Snubbing Element: Sintered, porous type 316 SS Pressure Port : G 1/4" In & Out</p> </div>  </div>